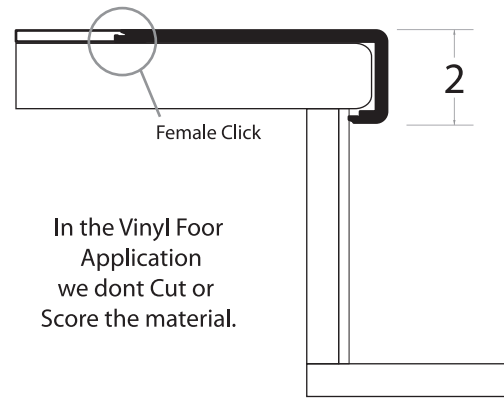


squaremodel

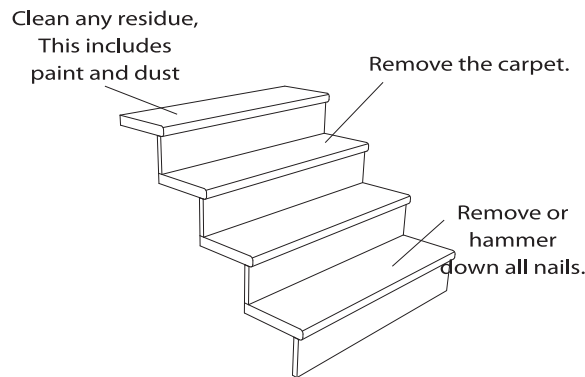
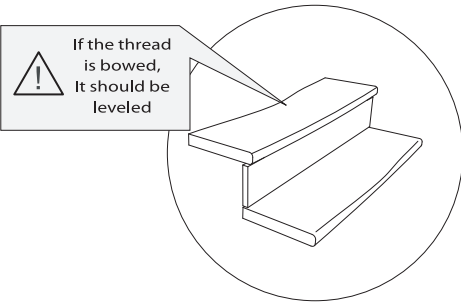
Our **squaremodel** profile is an option for a classic look and gives the feeling that each step is a Fulltread this option combines perfectly with our White Riser, or with the same colored Vinyl.



In the Vinyl Floor Application we don't Cut or Score the material.

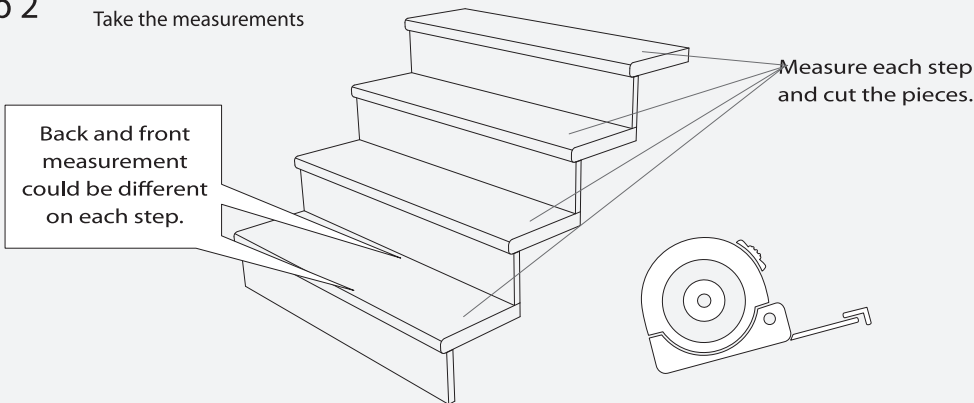
Installation Guide

Step 1 Staircase Preparation



Preparing the stairs correctly is key to guaranteeing a good adhesion of our stairnoses and the filler plate

Step 2 Take the measurements



IMPORTANT



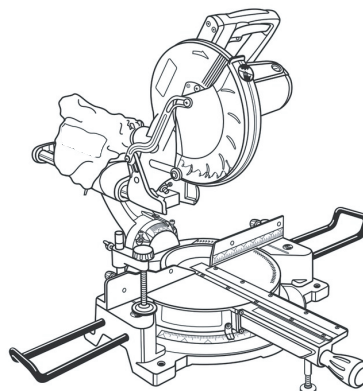
Taking precise measurements is the most important step to ensure a proper installation.

Step 3 How to cut

IMPORTANT



When making the stair nose we use the full plank, in the first cut the lateral click must be eliminated, then the second cut must be made with the measurement of the step.

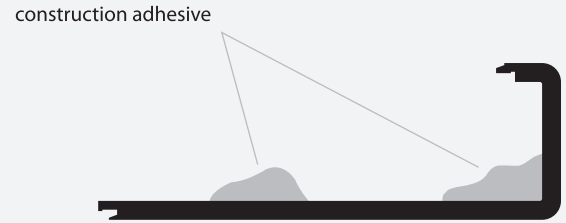


Using a miter saw and taking all safety regulations, the two cuts are made for each piece of stairnose with the measurements of each step.

Step 4


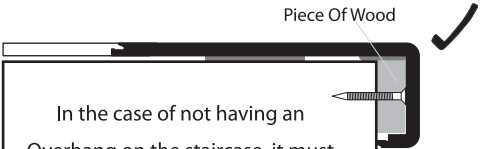

Glue application

Once the piece is cut to size it should be laid without glue to ensure it is cut to the correct size. Then, two continuous lines of construction adhesive should be applied along the entire length of the piece as indicated in the diagram.



Step 5

Stairnose placement

Staircase Overhang	No-Overhang	No Support
 <p>The stairnose should be against the stair overhang. Apply enough glue to fill the gap in the overhang cave.</p>	 <p>In the case of not having an Overhang on the staircase, it must be built using a piece of wood. This piece must be glued and screwed on to the base of the staircase. The stairnose must also be glued against this piece to guarantee its support.</p>	 <p>DO NOT install the stairnose pieces without front support. This will cause the stairnose piece to break and may cause falls, or accidents to users in the future.</p>

Step 6

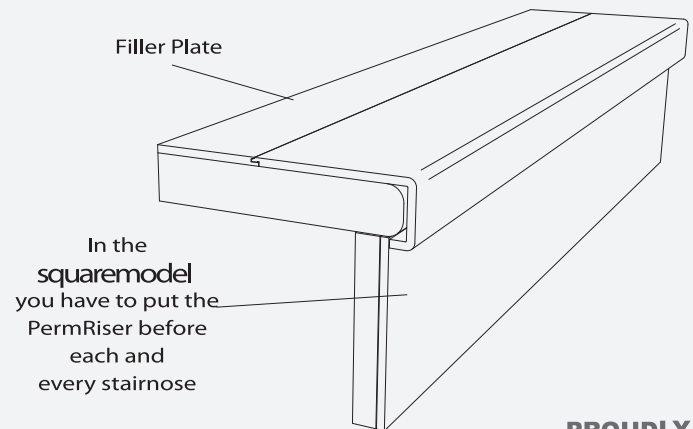
Final Installation

The order of placement of the pieces is as follows:

The first piece to be glued is the riser followed by the stairnose with the construction adhesive.

Then the filler plate, apply two continuous lines of construction adhesive.

Once installed it is advisable to apply a heavy weight into the joints, and allow the Glue to cure for 24 hours.



For the correct installation of this product you must complete these steps